

Product data sheet

Characteristics

XUM2APCNM8

Photoelectric sensors XU, XUM, thru beam, Sn 15 m, 12...24 VDC, M8

Product availability: Stock - Normally stocked in distribution facility

Price*: 93.10 USD



Commercial status

This Product is Obsolete : FEB 17, 2021

 This Product is Obsolete

Main

Range of Product	Telemecanique Photoelectric sensors XU
Series name	General purpose single mode
Electronic sensor type	Photo-electric sensor
Sensor name	XUM
Sensor design	Miniature
Detection system	Thru beam
Material	Plastic
Type of output signal	Discrete
Supply circuit type	DC
Wiring Technique	3-wire
Discrete output type	PNP
Discrete output function	1 NO or 1 NC programmable
Electrical connection	1 male connector M8, 4 pins
Product Specific Application	-
Emission	Red thru beam
[Sn] nominal sensing distance	49.21 Ft (15 m) thru beam

Complementary

Enclosure Material	PBT
Lens material	PMMA
Output Type	Solid state
Wire insulation material	PVC
Status LED	1 LED yellow)output state 1 LED red)instability
[Us] rated supply voltage	12...24 V DC
Switching capacity in mA	<= 100 mA overload and short-circuit protection)
Switching frequency	<= 500 Hz
Maximum voltage drop	<1.5 V closed state)
Current consumption	35 mA no-load

Maximum delay first up	30 Ms
Maximum delay response	1 Ms
Maximum delay recovery	1 Ms
Setting-up	Sensitivity adjustment
Maximum Depth	1.06 In (27 mm)
Maximum Height	1.50 In (38 mm)
Maximum Width	0.47 In (12 mm)
Net Weight	0.26 Lb(US) (0.119 kg)
Kit composition	Transmitter + receiver XUM2AKCNM8T + XUM2APCNM8R

Environment

Product Certifications	CE UL CSA
Ambient air temperature for operation	-13...131 °F (-25...55 °C)
Ambient Air Temperature for Storage	-22...158 °F (-30...70 °C)
Vibration resistance	7 gn +/- 1.5 mm 10...55 Hz) IEC 60068-2-6
Shock resistance	30 gn 11 ms) IEC 60068-2-27
IP degree of protection	IP67 double insulation IEC 60529 IP65 double insulation IEC 60529

Ordering and shipping details

Category	22415 - SENSORS, PHOTOELECTRIC, BASIC
Discount Schedule	DS2
GTIN	03389119034951
Nbr. of units in pkg.	1
Package weight(Lbs)	0.67 Oz (19 g)
Returnability	No
Country of origin	TH

Packing Units

Unit Type of Package 1	PCE
Package 1 Height	0.43 In (1.1 cm)
Package 1 width	4.72 In (12 cm)
Package 1 Length	3.94 In (10 cm)

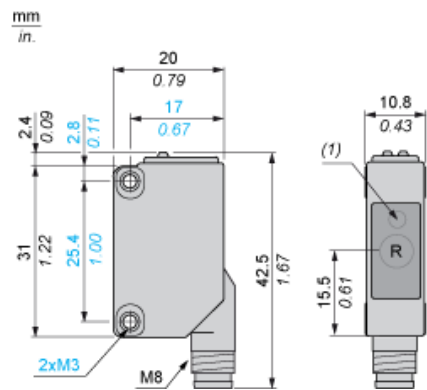
Offer Sustainability

California proposition 65	WARNING: This product can expose you to chemicals including: Diisononyl phthalate (DINP), which is known to the State of California to cause cancer, and Diisodecyl phthalate (DIDP), which is known to the State of California to cause birth defects or other reproductive harm. For more information go to www.P65Warnings.ca.gov
REACH Regulation	REACH Declaration
EU RoHS Directive	Pro-active compliance (Product out of EU RoHS legal scope) EU RoHS Declaration
Mercury free	Yes
RoHS exemption information	Yes

Contractual warranty

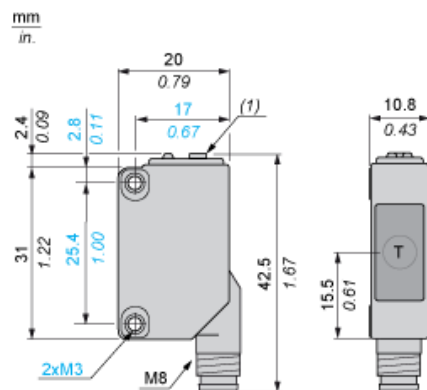
Warranty	18 months
----------	-----------

Receiver's Dimensions



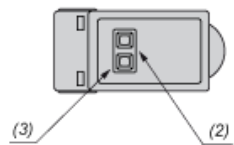
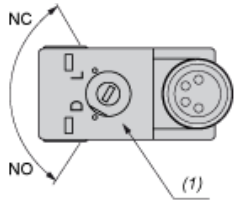
- R : Reception
(1) Output state LED on front face

Transmitter's Dimensions



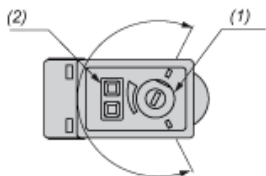
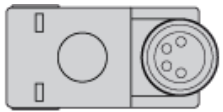
- T : Transmission
(1) Potentiometer

Mounting and Clearance



- (1) Configuration switch
- (2) Output state LED
- (3) Stability and power on LED

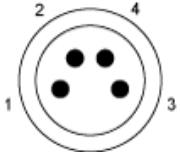
Mounting and Clearance



- (1) Adjustment potentiometer
- (2) Power on LED

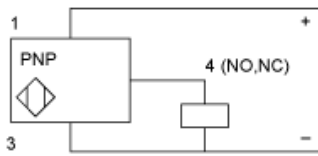
Connections and Schemes

M8 Connector

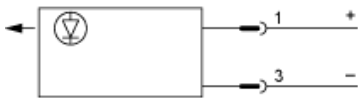


- 1 : (+)
- 3 : (-)
- 4 : OUT/Output

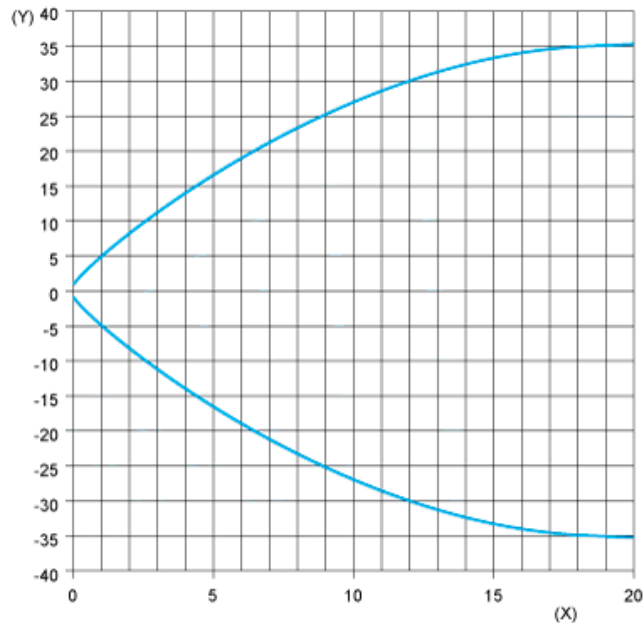
PNP



Transmitter DC



Detection Curves



(Y) Parallel movement (cm)
(X) Distance (m)

Product Life Status : **End of commercialisation**

XUM2APCNM8 may be replaced by any of the following products:



XUM0AKSAM8

Photoelectric sensors XU, XUM, emitter, 12...24 VDC, M8

Qty 1

Substitution date: |



XUM0APSAM8

Photoelectric sensors XU, XUM, multi, Sn 0...10 m, 12...24 VDC, M8

Qty 1

Substitution date: |